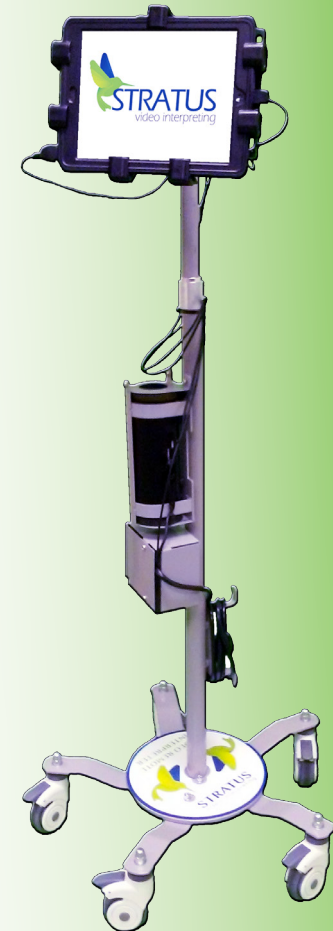
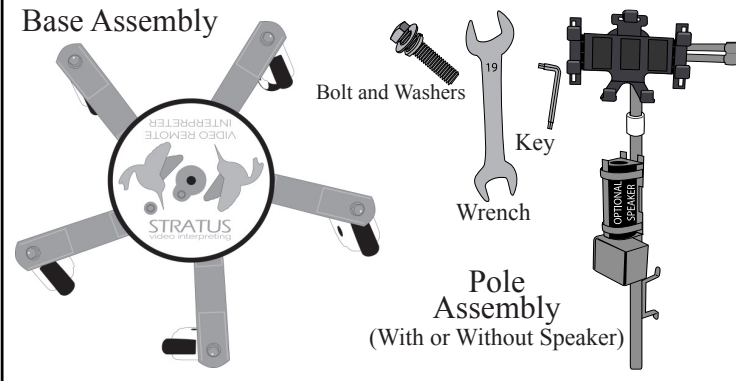


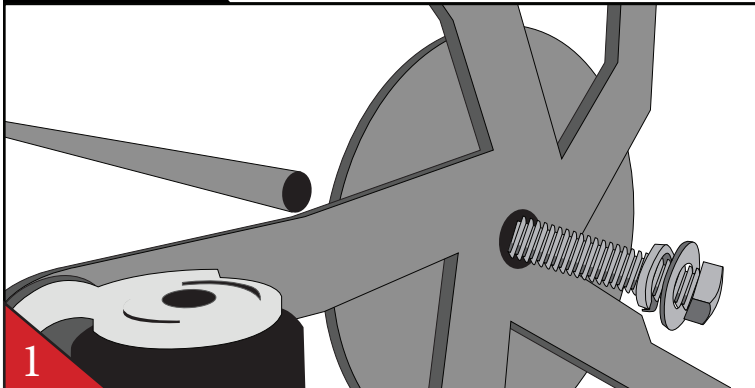
# THE STRATUS STAND ASSEMBLY GUIDE

Congratulations and thank you for your purchase of The Stratus Stand. Our device represents a breakthrough in technology in making interpreting easier for our customers. The Stratus Stand is easy to use, easy to implement, and easy to apply in the work place. Our device has a sturdy base for ease of mobility and can be wheeled anywhere. It comes with extendable arm for maximum reach and is cleanable for infectious disease control. For more information please visit our website: [www.StratusVideo.com](http://www.StratusVideo.com).

## What's Included

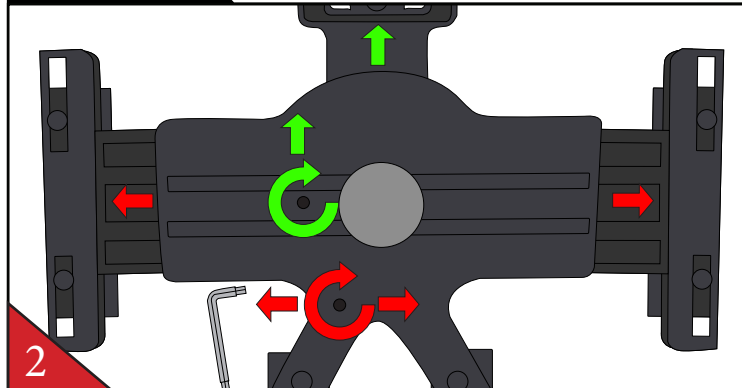


## Step One



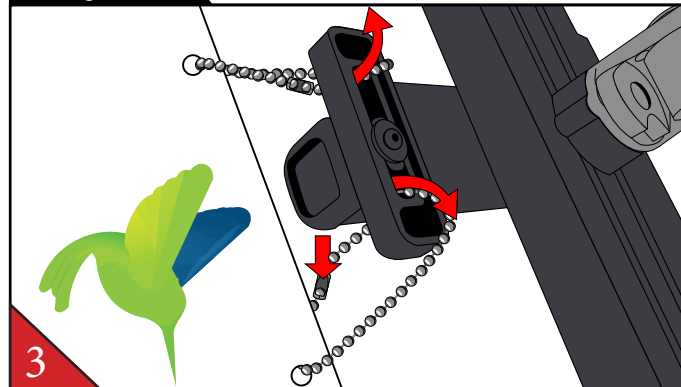
Lay the Base Assembly on its side while vertically aligning the Pole Assembly through the center. Connect together the Bolt and Washers using the Wrench turning clockwise to tighten.

## Step Two



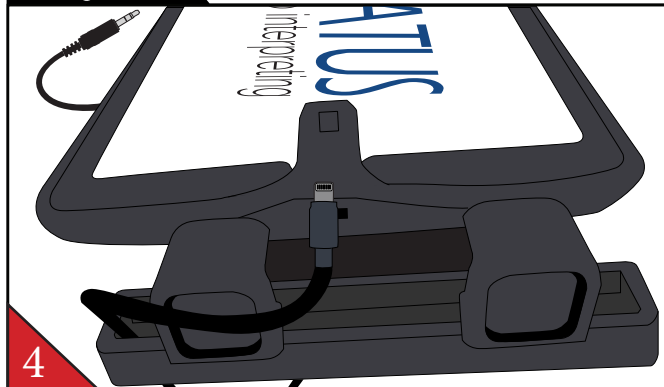
Insert the key firmly into the keyhole to unlock the iPad placement mounts. The lower keyhole unlocks the sides, while the upper one unlocks the top one. Firmly pull apart arms after turning the key in a clockwise manner.

## Step Three



Tilt the top of the head down to attach the Stratus Flipcover instruction guide using the two ball chains provided. Assure the logo side is placed on the front while assessing the instruction side when flipped.

## Step Four



Lift the tab of the case and attach the power lightning USB cable from the stand into the side of the iPad. If the stand has the speaker option attachment, the audio speaker cable on the lower end of other side.

## Step Five



Place the iPad into the head and firmly push together the arms to lock in place.